

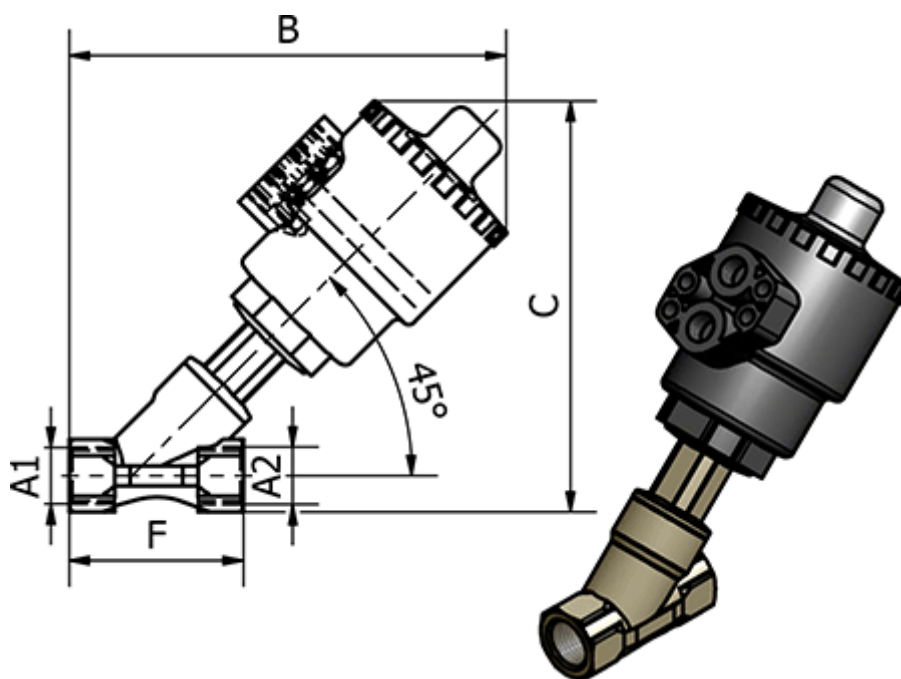
Data Sheet



Article number: 58636206

Description: Angle-Seat Valve 362.06, G 1 1/4" - G 1/8"
Thread/Thread

Measures



B	= 255
C	= 245
Connecting A1	= G 1 1/4"
Connecting A2	= G 1 1/4"
Control Air	= G 1/8"
Control Air	= 4-8 bar
F	= 110
Max. Working Pressure	= 14 bar